

D 1000 APG



www.ausa.com

AUSA Center, S.L. ● Ctra. de Vic, Km 2.8 - P.O.B. 194. 08243 Manresa - BARCELONA (ESPAÑA) Tel.: +34 93 874 73 11 - E-mail: ausa@ausa.com



AUSA Madrid ● Pol. Ind. Coslada - C. Marconi 15-17. 28823 Coslada - MADRID (ESPAÑA) Tel.: +34 91 669 00 06 - E-mail: ausa.madrid@ausa.com
AUSA France ● Z. I. Saint Charles - Rue de Zürich, 66000 PERPIGNAN (FRANCE) Tel.: +33 (0) 4 68 54 38 97 - E-mail: ausa.france@ausa.com
AUSA Deutschland ● Heinrich - Welken Str. 5. 59069 HAMM (GERMANY) Tel.: +49 (0) 2384-9889905 - E-mail: ausa.deutschland@ausa.com
BEIJING Rep. Office ● Address Room 527. HengXiang Building, Tuanjihu Nanli, Chaoyang District. - BEIJING 100026 (CHINA)
 Tel.: 86-10-8597 1983 - Fax: 86-10-8597 1993 - E-mail: ausa.china@ausa.com

AUSA UK ● Tel.: 07970639988 - E-mail: ausa.uk@ausa.com
AUSA Brasil ● Tel.: +55 51 32622111 - E-mail: ausa.brasil@ausa.com

(Sede central AUSA-Manresa)



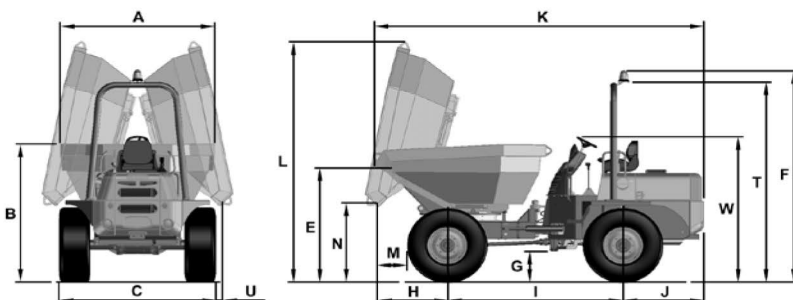
D 1000 APG_10000 Kg



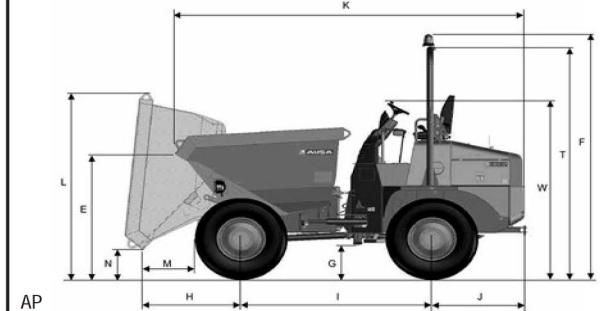
www.ausa.com

DIMENSIONS (mm)		D 1000 APG
A		2480
B		2385
C		2440
E		1950
F		3560
G		490
H		980
I		2450
J		1220
K		4740
L		3820
M		380
N		1100
T		3375 / 3220 (*)
U		110
W		2550

(*) Closed cabin



APG



AP

TECHNICAL SPECIFICATIONS

D 1000 APG

Load capacity (Kg)		10000
Unloading system		Hydraulic, 180° side rotating
Chassis		Articulated and oscillating
Hopper capacities	Water	1950
	Levelled	3140
	Heaped	4790
Engine	Diesel	KUBOTA V3800-CR-TIE4 with Diesel Particulate Filter and Diesel Oxidation Catalyst (DPF and DOC)
Stage IIIB / Tier 4 Int.	Power (KW/HP)	85 / 114
	N° of Cylinders	4
	Cooling system	Water
Engine	Diesel	KUBOTA V3800T
Stage III B / Tier 4	Power (KW/HP)	72.8 / 99
	N° of Cylinders	4
	Cooling system	Water
Engine	Diesel	KUBOTA V3800T
Non-EU EMISSION	Power (KW/HP)	72.8 / 99
Stage IIIA / Tier 3	N° of Cylinders	4
	Cooling system	Water
Traction		4 x 4 permanent
Transmission		Torque converter with synchronized gear box. 4 ratios forwards and 4 ratios backwards by means of an electro-hydraulic device. Axles with planetary reduction on differential output
Engine starting system		Electric
Speed (max.) (km/h)		38
Unladen weight (Kg)		4990
Gradeability		60%
Hydraulic circuit		Gear pump of 25 cc. Working pressure 180 bar
Tyres	Front	500/60-22,5" (16PR")
	Rear	500/60-22,5" (16PR")
External turning radius (mm)		5950
Steering		Hydraulic. Working pressure 115 bar
Tank capacity (l)	Carburant (l)	70
	Hydraulique	65
Service brake		Oil-immersed, multidisc, hydraulically operated
Parking brake		Oil-immersed, multidisc, mechanically operated

STANDARD EQUIPMENT

- Ergonomic seat with safety belt
- Anti vandal system
- Audible reverse warning
- Rotating beacon
- Foldable ROPS arch

OPTIONAL EQUIPMENT

- Closed cabin with heating
- Air conditioning
- Homologated lighting equipment
- Towing hitch
- Stop emergency
- Full visibility System with front and rear camera and 7" TFT water-proof color display
- Limited slip differential with negative parking brake
- Homologated ROPS/FOPS driver protective roof (with and without sun protector)